

iDS-7108HUHI-M1/S 8-ch 5MP Mini 1U H.265 AcuSense DVR

Key Feature

- Deep learning based human and vehicle targets classification of Motion Detection 2.0
- 8 analog channels and 1 HDD 1U DVR
- Efficient H.265 Pro+ compression technology
- Up to 8 MP@8 fps and 5 MP@12 fps encoding capability
- HDTV/1/AHD/CVI/CVBS/IP video inputs
- Up to 16 network cameras can be connected



Smart Function

- Deep learning-based motion detection, and perimeter protection (line crossing and intrusion detection)
- Support multiple VCA (Video Content Analytics) events for both analog and smart IP cameras

Compression and Recording

- H.265 Pro+ can be enabled to improve encoding efficiency and reduce data storage costs
- Recording at up to 8 MP resolution

Storage and Playback

- Smart search for efficient playback

Network & Ethernet Access

- Output bandwidth limit configurable
- Hik-Connect & DDNS (Dynamic Domain Name System) for easy network management

▪ Specification

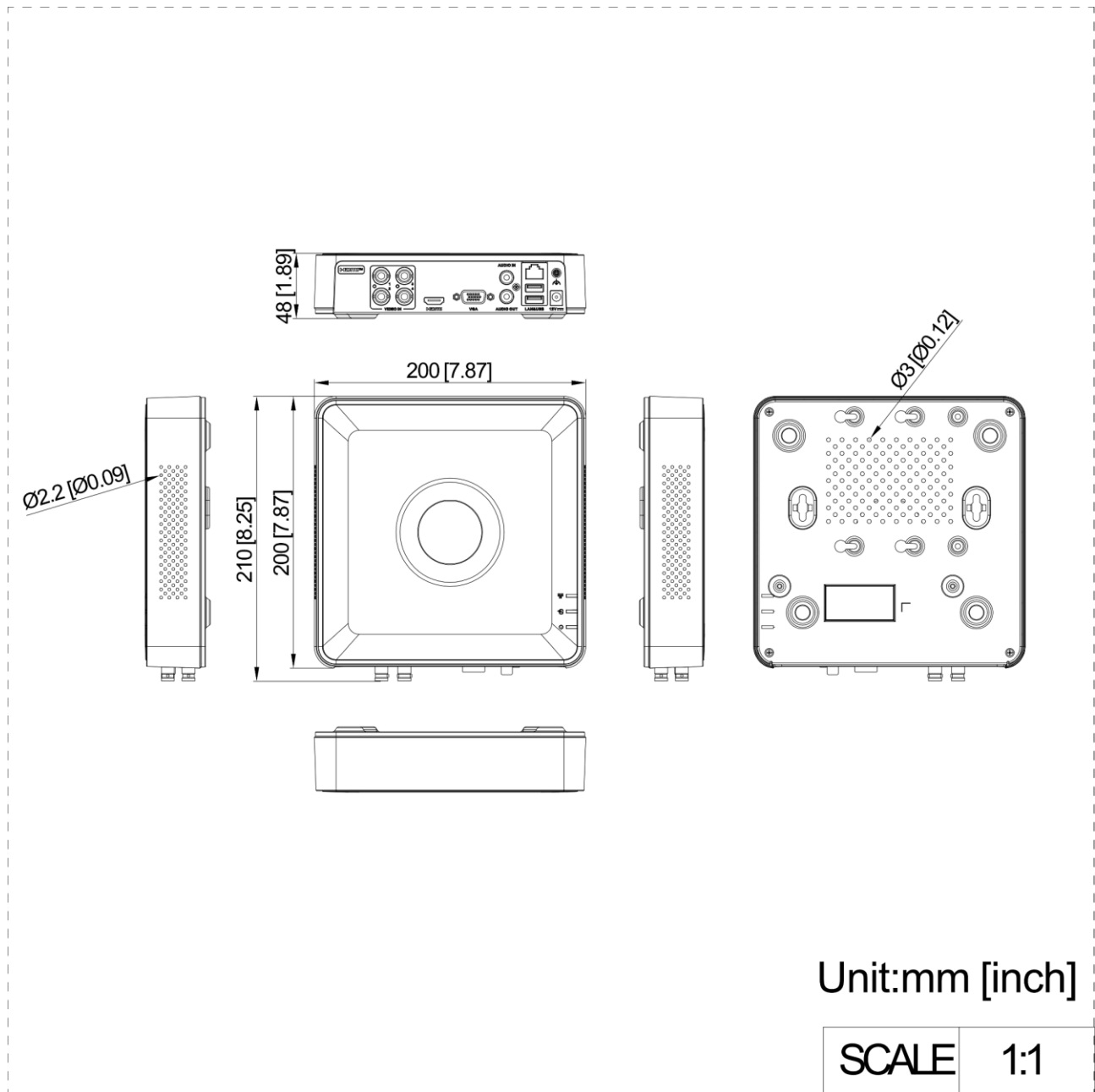
Motion Detection 2.0	
Human/Vehicle Analysis	<p>Deep learning-based motion detection 2.0 is enabled by default for all analog channels, it can classify human and vehicle, and extremely reduce false alarms caused by objects like leaves and lights;</p> <p>Quick search by object or event type is supported;</p>
Perimeter Protection	
Human/Vehicle Analysis	Up to 4-ch
Facial Detection	
Facial Detection and Capture	Face picture detection, face picture search
Video and Audio	
IP Video Input	<p>4-ch (up to 12-ch)</p> <p>Enhanced IP mode on: 8-ch (up to 16-ch), each up to 4 Mbps</p> <p>Up to 8 MP resolution</p> <p>Support H.265+/H.265/H.264+/H.264 IP cameras</p>
Analog Video Input	<p>8-ch;</p> <p>BNC interface (1.0 Vp-p, 75 Ω), supporting coaxitron connection</p>
HDTVI Input	8 MP(3840 × 2160)@15 fps, 8 MP(3840 × 2160)@12 fps, 3K(2960 × 1665)@20 fps, 5 MP(2560 × 1944)@20 fps, 5 MP(2560 × 1944)@12 fps, 4 MP(2560 × 1440)@30 fps, 4 MP(2560 × 1440)@25 fps, 3 MP@18 fps, 1080p@30 fps, 1080p@25 fps, 720p@30 fps, 720p@25 fps
AHD Input	5 MP(2560 × 1944)@20 fps, 5 MP(2560 × 1944)@12 fps, 4 MP(2560 × 1440)@30 fps, 4 MP(2560 × 1440)@25 fps, 1080p@30 fps, 1080p@25 fps, 720p@30 fps, 720p@25 fps
HDCVI Input	8 MP(3840 × 2160)@15 fps, 8 MP(3840 × 2160)@12 fps, 5 MP(2592 × 1944)@20 fps, 4 MP(2560 × 1440)@30 fps, 4 MP(2560 × 1440)@25 fps, 1080p@30 fps, 1080p@25 fps, 720p@30 fps, 720p@25 fps
CVBS Input	PAL/NTSC
HDMI Output	1-ch, 4K (3840 × 2160)/30Hz, 2K (2560 × 1440)/60Hz, 1920 × 1080/60Hz, 1280 × 1024/60Hz, 1280 × 720/60Hz
VGA Output	1-ch, 1920 × 1080/60Hz, 1280 × 1024/60Hz, 1280 × 720/60Hz
Video Output Mode	HDMI/VGA simultaneous output
Audio Input	<p>1-ch, RCA (2.0 Vp-p, 1 KΩ)</p> <p>4-ch via coaxial cable</p>
Audio Output	1-ch, RCA (Linear, 1 KΩ)
Two-Way Audio	1-ch, RCA (2.0 Vp-p, 1 KΩ) (using the audio input)
Synchronous Playback	8-ch

Recording	
Video Compression	H.265 Pro+/H.265 Pro/H.265/H.264+/H.264
Encoding Resolution	8 MP/5 MP/3K/4 MP/3 MP/1080p/720p/WD1/4CIF/VGA/CIF
Frame Rate	Main stream: 8 MP@8 fps/3K@12 fps/5 MP@12 fps/4 MP@15 fps/8 MP Lite@15 fps/3 MP@18 fps 1080p/720p/WD1/4CIF/VGA/CIF@25 fps (P)/30 fps (N) Sub-stream: WD1/4CIF/CIF@25 fps (P)/30 fps (N)
Video Bitrate	32 Kbps to 10 Mbps
Dual-stream	Support
Stream Type	Video, Video & Audio
Audio Compression	G.711u
Audio Bitrate	64 Kbps
Network	
Total Bandwidth	128 Mbps
Remote Connection	64
Network Protocol	TCP/IP, PPPoE, DHCP, Hik-Connect, DNS, DDNS, NTP, SADP, NFS, iSCSI, UPnP™, HTTPS, ONVIF
Network Interface	1, RJ45 10/100/1000 Mbps self-adaptive Ethernet interface
Wi-Fi	Connectable to Wi-Fi network by Wi-Fi dongle through USB interface
Auxiliary Interface	
SATA	1 SATA interfaces
Capacity	Up to 10 TB capacity for each disk
USB Interface	Rear panel: 2 × USB 2.0
General	
Power Supply	12 VDC, 2 A
Consumption	≤ 10 W (without HDD)
Working Temperature	-10 °C to +55 °C (+14 °F to +131 °F)
Working Humidity	10% to 90%
Dimension (W × D × H)	200 × 200 × 48 mm (7.9 × 7.9 × 1.9 inch)
Weight	≤ 1 kg (without HDD, 2.2 lb.)

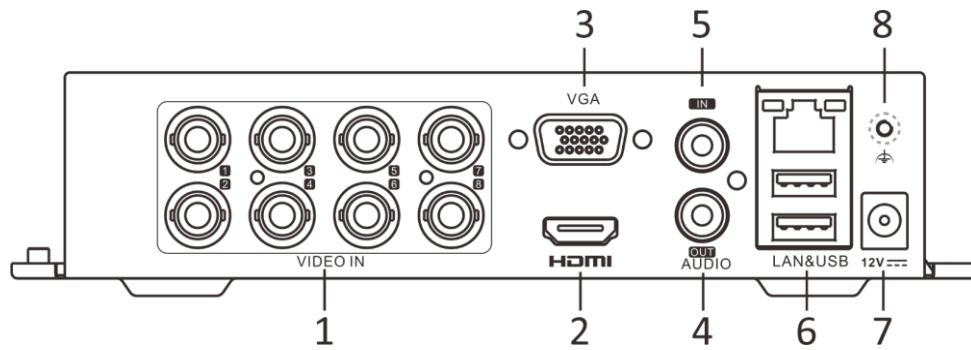
Note:

- Motion detection 2.0 and perimeter protection cannot be enabled at the same time. Enable one function will make the other one unavailable.
- Enhanced IP mode might be conflicted with smart events (motion detection 2.0 and perimeter protection) or other functions, please refer to the user manual for details.

Dimension



Physical Interface



No.	Description	No.	Description
1	Video and coaxial audio in	5	AUDIO IN, RCA connector
2	HDMI interface	6	LAN network interface and USB interface
3	VGA interface	7	12 VDC power input
4	AUDIO OUT, RCA connector	8	GND

Available Model

iDS-7108HUHI-M1/S

Headquarters

No.555 Qianmo Road, Binjiang District,
Hangzhou 310051, China
T +86-571-8807-5998
www.hikvision.com



Follow us on social media to get the latest product and solution information.

