

## DS-3WF0EC-2NT 2.4Ghz 300Mbps 500m Elevator Wireless Bridge



The dual wireless bridge can be applied in industries, such as wireless video security, railway, transportation, power and other industries, wireless video/data transmission, wireless coverage, carrier wireless backbone network construction, Wi-Fi wireless coverage, rural information construction, and wireless network coverage. The long-distance transmission of the device can guarantee multi-channel HD video transmission.

- Up to 500 m wireless transmission distance.
- 300 Mbps 802.11n wireless bridge.
- Built-in 7dBi 2 × 2 MIMO antenna.
- Visualized topology management.
- Real-Time alarm push technology.

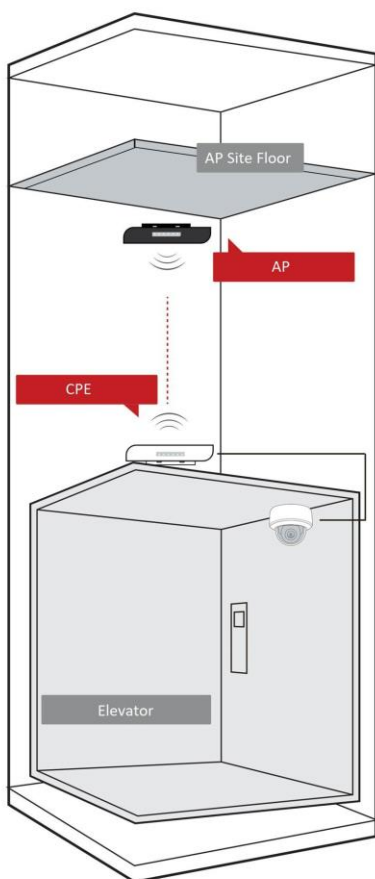
## ▪ Specification

| Wireless Parameter                      |   |
|---|---|
| Wireless Standard                       | IEEE 802.11b/g/n (2 × 2 MIMO 300 Mbps)  |
| Max. Transmission Rate of Air Interface | ≤ 300 Mbps  |
| Working Frequency Band                  | 2400 MHz ~ 2483.5 MHz   |
| Antenna Gain                            | 7 dBi   |
| Antenna Angle                           | (H) Beamwidth [3 dB] 65° (V) Beamwidth [3 dB] 65°   |
| Transmitting Power                      | 19±2 dBm (Note: Transmitting power may vary with local regulations.)  |
| Receiving Sensitivity                   | -68 ± 2 dBm @HT40 MCS7  |
| Throughput Rate                         | Point to point: Support up to 6-ch IPC (2MP) in Max. 0.5 KM distance and Max. 30 Mbps bandwidth   |
| Hardware Parameter                      |   |
| Network Interface                       | 2 × 10/100 Mbps RJ45 ports  |
| LED Indicator                           | Power indicator, LAN indicator, Signal intensity indicator  |
| Reset                                   | Hardware resetting button   |
| Power Supply                            | 12-24 VDC Passive PoE   |
| Software Function                       |   |
| Application Function                    | IFM, IPM  |
| Channel Width                           | 10/20/40 MHz  |
| Channel Selection                       | Auto/manual selection   |
| Network Protocol                        | NTP (network time synchronization), SADP (auto search for IP address), HTTPS (web management), SSH (debugging)                              |
| Security Mode                           | WPA2-PSK  |
| Security Mechanism                      | Wireless network name hidden  |
| Management Method                       | Web, iVMS-4200, HCP   |
| Upgrade                                 | Web, iVMS-4200, HCP   |
| System Log                              | Syslog, Control center information  |
| General                                 |   |
| Product Dimensions (W × H × D)          | 90.8 mm × 57.87 mm × 187.87 mm (3.57" × 2.27" × 7.39")  |
| Package Dimensions (W × H × D)          | 256 mm × 231 mm × 86 mm (10.07" × 9.09" × 3.38")  |
| Net Weight                              | 0.26 kg (0.57 lb) per device  |
| Gross Weight                            | 0.8 kg (1.76 lb)  |
| Packing List                            | Wireless Bridge × 2, Power Adapter (12 VDC, 1 A) × 2, 10/100 Mbps PoE Injector × 2, Binding Tape × 4, Quick Start Guide × 1                 |
| Packing Method                          | Packing in pairs  |
| Working Temperature                     | -30 °C to 70 °C (-22 °F to 158 °F)  |
| Working Humidity                        | 5% to 95% (no condensation)   |
| Storage Temperature                     | -40 °C to 80 °C (-40 °F to 176 °F)  |
| Storage Humidity                        | 5% to 95% (no condensation)   |
| Installation Mode                       | Pole Mounting   |
| Ingress Protection                      | IP55  |
| Power Consumption                       | 1.89 W for typical (1-ch 2MP IPC), Max. 3.7 W   |
| Approval                                |   |
| EMC                                     | CE-EMC (EN 55032: 2015+A11: 2020, EN IEC 61000-3-2: 2019, EN 61000-3-3: 2013+A1: 2019, EN 50130-4: 2011+A1: 2014, EN 55035: 2017+A11: 2020) |

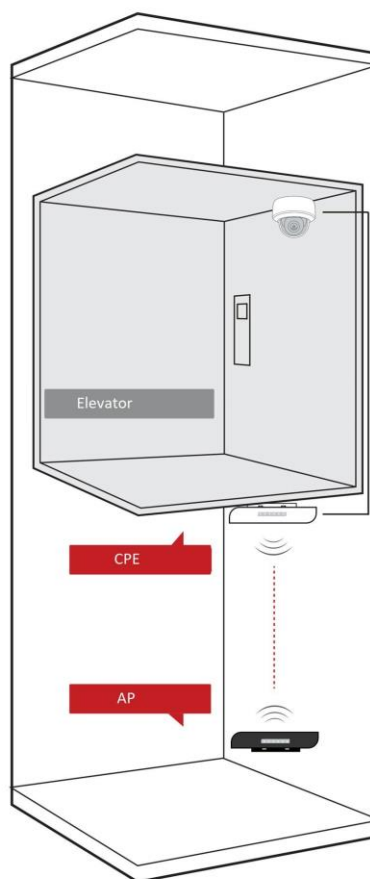
|           |  |
|-----------|--|
| Safety    | CB (AMD1:2009, AMD2:2013, IEC 62368-1: 2014 (Second Edition)), CE-LVD (EN 62368-1: 2014+A11: 2017) |
| Chemistry | CE-RoHS (2011/65/EU), WEEE (2012/19/EU), Reach (Regulation (EC) No.1907/2006)                      |
| Radio     | EN 301 893, EN 300 440, EN 62311, EN 301 489-3, EN 301 489-17                                      |

▪ **Typical Application**

Scene 1

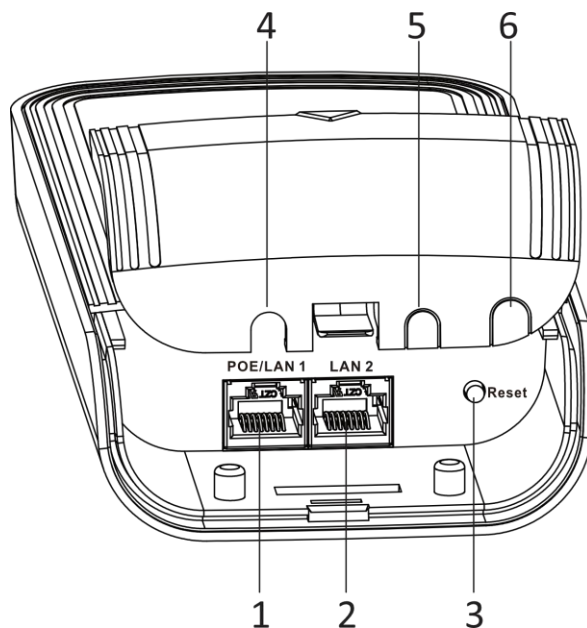


Scene 2



▪ **Physical Interface**

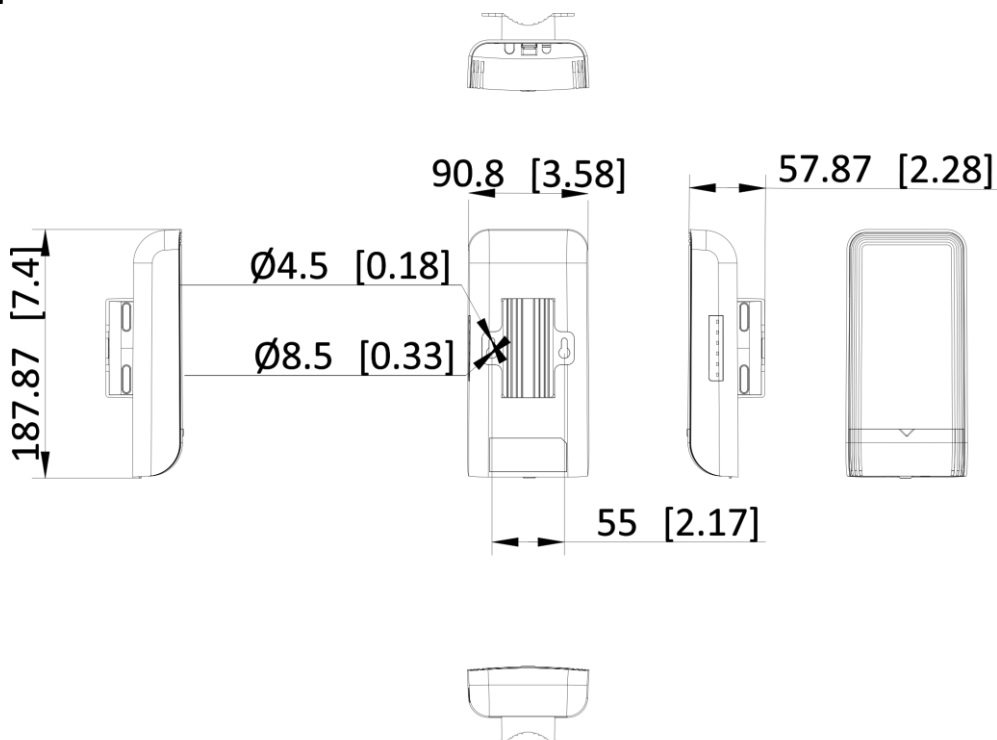
| No.   | Interface/Button   | Description   |
|-------|--------------------|---|
| 1     | PoE/LAN 1          | The 10/100 Mbps adaptive RJ45 port, also can be used as a PoE port. |
| 2     | LAN 2              | The 10/100 Mbps adaptive RJ45 port.                                 |
| 3     | Reset              | Long press for 4 seconds to restore to factory settings.            |
| 4/5/6 | Network Cable Slot | Reserved for easy placement of the network cables.                  |



▪ Available Model

DS-3WFOEC-2NT

▪ Dimension



Unit: mm [inch]

Headquarters

No.555 Qianmo Road, Binjiang District,  
Hangzhou 310051, China  
T +86-571-8807-5998  
www.hikvision.com



Follow us on social media to get the latest product and solution information.

