

## DS-2SE7C425MWG-EB/26(F0) 4 MP 25 × IR Network Speed Dome



- Panoramic channel supports image stitching, with 180° horizontal field of view
- High quality imaging with 6 MP resolution in panoramic channel and 4 MP resolution in PTZ channel
- Secures an expansive area with 25× optical zoom and 16× digital zoom
- AcuSense technology focuses on human and vehicle targets classification and supports face capture to detect, capture and select faces in motion
- Expansive night view with up to 200 m IR distance in PTZ channel and 30 m white light in panoramic channel
- Active strobe light and audio alarm to warn intruders off
- Smart-linkage between panoramic channel and PTZ channel

## ▪ Specification

| Camera                 |   |
|------------------------|---|
| Image Sensor           | [Panoramic channel] 1/2.5" Progressive Scan CMOS<br>[PTZ channel] 1/2.8" Progressive Scan CMOS  |
| Min. Illumination      | [PTZ channel] Color: 0.005 Lux @ (F1.6, AGC ON), B/W: 0.001 Lux @ (F1.6, AGC ON), 0 lux with IR<br>[Panoramic channel] Color: 0.0005 Lux @ (F1.0, AGC ON), 0 Lux with Light |
| Shutter Speed          | 1 s to 1/30,000 s   |
| Slow Shutter           | yes   |
| Day & Night            | IR cut filter   |
| HLC                    | yes   |
| 3D DNR                 | yes   |
| White Balance          | auto,ATW,sodium lamp,fluorescent lamp,indoor,outdoor,MWB,Locked WB  |
| Zoom                   | 25 × optical,16 × digital   |
| Max. Resolution        | [Panoramic channel] 3632 × 1632<br>[PTZ channel] 2560 × 1440  |
| Lens                   |   |
| FOV                    | [Panoramic channel] horizontal field of view: 180°±10°, vertical field of view: 80°±5°<br>[PTZ channel] horizontal field of view: 55° to 3°                                 |
| Focus                  | Auto,semi-auto>manual   |
| Zoom Speed             | [Panoramic channel] No<br>[PTZ channel] approx. 3.6 s   |
| Focal Length           | [Panoramic channel] 2.8 mm<br>[PTZ channel] 4.8 to 120 mm   |
| Aperture               | [Panoramic channel] F1.0<br>[PTZ channel] F1.6  |
| Illuminator            |   |
| White Light Distance   | Panoramic channel: 30 m   |
| Supplement Light Range | IR distance: up to 200 m  |
| PTZ                    |   |
| Movement Range (Pan)   | 360°  |
| Movement Range (Tilt)  | -15° to 90°   |
| Pan Speed              | Pan speed: configurable from 0.1° to 160°/s, preset speed: 240°/s   |
| Tilt Speed             | Tilt speed: configurable from 0.1° to 120°/s, preset speed 200°/s   |
| Proportional Pan       | Yes   |
| Presets                | 300   |
| Patrol Scan            | 8 patrols, up to 32 presets for each patrol   |
| Pattern Scan           | 4 pattern scans, record time over 10 minutes for each scan  |
| Power-off Memory       | Yes   |
| Park Action            | Preset,pattern scan,patrol scan,auto scan,tilt scan,random scan,frame scan,panorama scan  |
| 3D Positioning         | Yes   |
| PTZ Status Display     | Yes   |
| Preset Freezing        | Yes   |

|                             |  |
|-----------------------------|--|
| Scheduled Task              | Preset,pattern scan,patrol scan,auto scan,tilt scan,random scan,frame scan,panorama scan,dome reboot,aux output,dome adjust  |
| <b>Video</b>                |  |
| Main Stream                 | [PTZ channel] 50 Hz: 25 fps (2560 × 1440, 1920 × 1080, 1280 × 960, 1280 × 720), 60 Hz: 30 fps (2560 × 1440, 1920 × 1080, 1280 × 960, 1280 × 720)<br>[Panoramic channel] 50 Hz: 25 fps (3632 × 1632, 3680 × 1656), 60 Hz: 30 fps (3632 × 1632, 3680 × 1656) |
| Sub-Stream                  | [PTZ channel] 50 Hz: 25 fps (704 × 576, 640 × 480, 352 × 288), 60 Hz: 30 fps (704 × 480, 640 × 480, 352 × 240)<br>[Panoramic channel] 50 Hz: 25 fps (1200 × 536, 960 × 432), 60 Hz: 30 fps (1200 × 536, 960 × 432)   |
| Third Stream                | [PTZ channel] 50 Hz: 25 fps (1920 × 1080, 1280 × 960, 1280 × 720, 704 × 576, 640 × 480, 352 × 288), 60 Hz: 30 fps (1920 × 1080, 1280 × 960, 1280 × 720, 704 × 480, 640 × 480, 352 × 240)<br>[Panoramic channel] No   |
| Video Compression           | Main stream: H.265+/H.265/H.264+/H.264,<br>Sub-stream: H.265/H.264/MJPEG,<br>Third stream: H.265/H.264/MJPEG   |
| Video Bit Rate              | 32 Kbps to 16384 Mbps  |
| H.264 Type                  | Baseline Profile,Main Profile,High Profile   |
| H.265 Type                  | Main Profile   |
| Scalable Video Coding (SVC) | yes  |
| Region of Interest (ROI)    | fixed region   |
| <b>Audio</b>                |  |
| Audio Compression           | G.711,G.722.1,G.726,MP2L2,AAC-LC,PCM,MP3   |
| Audio Bit Rate              | 32 to 192 Kbps (MP2L2),16 to 64Kbps (AAC-LC),8 to 320 Kbps (MP3)   |
| Audio Sampling Rate         | MP2L2: 16kHz, 32kHz, 48kHz<br>AAC-LC: 16kHz, 32kHz, 48kHz<br>PCM: 8kHz, 16kHz, 32kHz, 48kHz<br>MP3: 8kHz, 16kHz, 32kHz, 48kHz  |
| Environment Noise Filtering | yes  |
| <b>Smart Features</b>       |  |
| Smart Record                | ANR (Automatic Network Replenishment), Dual-VCA  |
| <b>Network</b>              |  |
| Protocols                   | TCP/IP,ICMP,HTTP,HTTPS,FTP,DHCP,DNS,DDNS,RTP,RTSP,RTCP,PPPoE,NTP,UPnP,SMTP ,SNMP,IGMP,802.1X,QoS,IPv4/IPv6,UDP,Bonjour,WebSocket,WebSockets,SRTP   |
| Network Storage             | NAS (NFS, SMB/CIFS),auto network replenishment (ANR)   |
| API                         | ISUP,SDK,ISAPI,ONVIF (Profile S, Profile G, Profile T)   |
| Simultaneous Live View      | 20   |
| User/Host                   | 32   |
| Security                    | Password protection,HTTPS encryption,802.1X authentication (EAP-TLS, EAP-LEAP, EAP-MD5),host authentication (MAC address),IP address filter  |
| Client                      | iVMS-4200,HikCentral Pro,Hik-Connect   |
| Web Browser                 | IE 11+, Chrome 57+, Firefox 52+, Safari 12+, Edge79.0.309.65+  |
| <b>Image</b>                |  |
| Wide Dynamic Range (WDR)    | [Panoramic channel] Digital WDR<br>[PTZ channel] 120 dB  |

|                               |   |
|-------------------------------|---|
| Day/Night Switch              | Day,night,auto,schedule   |
| Image Enhancement             | BLC,HLC,3D DNR  |
| Defog                         | yes   |
| Image Stabilization           | yes   |
| Regional Exposure             | yes   |
| Regional Focus                | yes   |
| Image Settings                | saturation, brightness, contrast, sharpness   |
| Image Parameters Switch       | Yes   |
| Privacy Mask                  | 24 programmable polygon privacy masks, mask color or mosaic configurable  |
| SNR                           | > 52 dB   |
| <b>Interface</b>              |   |
| Ethernet Interface            | 1 RJ45 10/100M self-adaptive Ethernet port  |
| On-board Storage              | Built-in memory card slot, support Micro SD/Micro SDHC/Micro SDXC, up to 512 GB   |
| Alarm                         | 2 input(s), 1 output(s)   |
| Audio                         | 1 input (line in), max. input amplitude: 2-2.4 vpp, input impedance: 1 K $\Omega$ $\pm$ 10%,<br>1 output (line out), line level, output impedance: 600 $\Omega$   |
| Reset                         | Yes   |
| <b>Event</b>                  |   |
| Basic Event                   | Motion detection,video tampering alarm,alarm input and output,exception (network disconnected, IP address conflict, illegal login, HDD full, HDD error, abnormal restart)                                   |
| Smart Event                   | Line crossing detection,intrusion detection,region entrance detection,region exiting detection,audio exception detection  |
| Linkage                       | Upload to FTP/NAS/memory card,notify surveillance center,send email,trigger alarm output,trigger recording,and PTZ actions (such as preset, patrol scan, pattern scan),audible warning,white light flashing |
| Smart Linkage                 | panorama linkage, tracking takeover, track in turn  |
| Smart Tracking                | Manual tracking,auto-tracking   |
| <b>Deep Learning Function</b> |   |
| Face Capture                  | Support detecting up to 5 faces at the same time. Support detecting, capturing, grading, selecting of face in motion, and output the best face picture of the face  |
| <b>General</b>                |   |
| Power                         | 24 VAC, Max. 60 W, Hi-PoE   |
| Material                      | ADC12,Plastic,PC+10%GF  |
| General Function              | mirror,watermark,password protection,IP address filter  |
| Operating Condition           | -30 $^{\circ}$ C to 65 $^{\circ}$ C (-22 $^{\circ}$ F to 149 $^{\circ}$ F). Humidity 90% or less (non-condensing)   |
| Demist                        | Yes   |
| Dimension                     | $\varnothing$ 222.3 mm $\times$ 387.2 mm ( $\varnothing$ 8.75" $\times$ 15.2")  |
| Weight                        | Approx. 4.75 kg (10.47 lb.)   |
| <b>Approval</b>               |   |
| Protection                    | IP66 (IEC 60529-2013)   |

## ▪ DORI

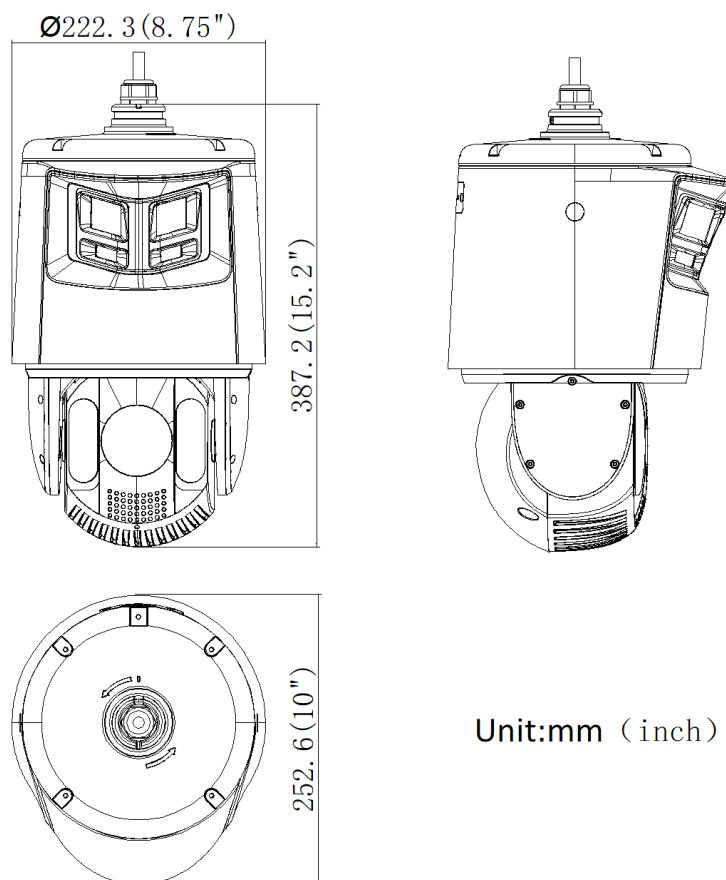
The DORI (detect, observe, recognize, identify) distance gives the general idea of the camera ability to distinguish persons or objects within its field of view. It is calculated based on the camera sensor specification and the criteria given by EN 62676-4: 2015.

| DORI            | Detect                | Observe              | Recognize            | Identify            |
|-----------------|-----------------------|----------------------|----------------------|---------------------|
| Definition      | 25 px/m               | 63 px/m              | 125 px/m             | 250 px/m            |
| Distance (Tele) | 2200.0 m (7217.8 ft.) | 873.0 m (2864.2 ft.) | 440.0 m (1443.6 ft.) | 220.0 m (721.8 ft.) |

▪ **Available Model**

DS-2SE7C425MWG-EB/26(F0)

▪ **Dimension**



▪ **Accessory**

▪ **Optional**

| DS-1661ZJ | DS-2681ZJ | DS-1681ZJ-2 | DS-1602ZJ-Corner | DS-1602ZJ-Pole |
|-----------|-----------|-------------|------------------|----------------|
|           |           |             |                  |                |

**DS-1602ZJ**



**Headquarters**

No.555 Qianmo Road, Binjiang District,  
Hangzhou 310051, China  
T +86-571-8807-5998  
www.hikvision.com



Follow us on social media to get the latest product and solution information.

