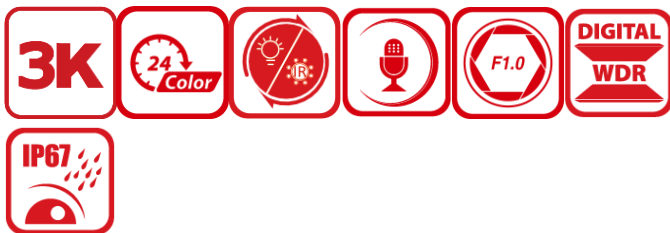


DS-2CE10KF0T-LFS**3K Smart Hybrid Light ColorVu Fixed Mini Bullet Camera**

- High quality imaging with 3K, 2960 × 1665 resolution
- 24/7 color imaging with F1.0 aperture
- 2.8 mm and 3.6 mm fixed focal lens
- Up to 20 m IR distance for bright night imaging
- Up to 20 m white light distance for bright night imaging
- High quality audio with audio over coaxial cable, built-in mic
- One port for four switchable signals (TVI/AHD/CVI/CVBS)
- Water and dust resistant (IP67)
- Smart-Hybrid light, optimize your security with flexible lighting options

▪ Specification

Camera	
Image Sensor	3K CMOS
Signal System	PAL/NTSC
Resolution	2960 (H) × 1665 (V)
Frame Rate	TVI: 3K @20 fps, 4 MP @25 fps/30 fps, 1080p @25 fps/30 fps AHD: 5 MP @20 fps, 4 MP @25 fps/30 fps CVI: 4 MP @25 fps/30 fps CVBS: PAL/NTSC
Min. Illumination	0.001 Lux @(F1.0, AGC ON), 0 Lux with white light
Shutter Time	PAL: 1/25 s to 1/50,000 s; NTSC: 1/30 s to 1/50,000 s
Lens	2.8 mm, 3.6 mm fixed focal lens
Field of View	2.8 mm, horizontal FOV: 110°, vertical FOV: 60°, diagonal FOV: 143° 3.6 mm, horizontal FOV: 94°, vertical FOV: 50°, diagonal FOV: 112°
Lens Mount	M12
Light Alarm	Solid Light Alarm (White Light)
Day & Night	ICR
WDR (Wide Dynamic Range)	Digital WDR
Angle Adjustment	Pan: 0° to 360°, Tilt: 0° to 90°, Rotation: 0° to 360°
Microphone	
Pickup Distance	In a radius of up to 5 m
Amount	1
Illuminator	
Supplement Light Type	Smart, IR, White Light
Supplement Light Range	IR: Up to 20 m, White Light: Up to 20 m
Image	
White Light	Auto/Off
Image Mode	STD/HIGH-SAT/HIGHLIGHT
AGC	Yes
Day/Night Mode	Auto/Color
White Balance	Auto/Outdoor/Global/Manual
AE (Auto Exposure) Mode	DWDR, BLC, HLC, Global, HLS
Noise Reduction	2D DNR
Language	English
Function	Brightness, Smart IR, Sharpness, Anti-Banding, AGC
Interface	
Video Output	Switchable TVI/AHD/CVI/CVBS
Audio In	Built-in mic
General	
Power	12 VDC ± 25%, max. 3.9 W, *You are recommended to use one power adapter to supply the power for one camera.
Operating Conditions	-40 °C to 60 °C (-40 °F to 140 °F), Humidity: 90% or less (non-condensing)
Protection Level	IP67
Material	Front cover: Plastic Main body: Metal
Communication	HIKVISION-C

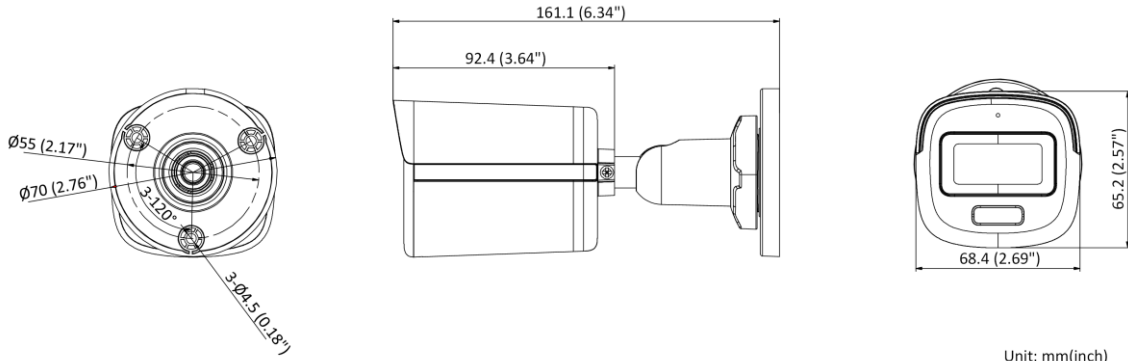
Dimension	161.1 mm × 70 mm × 70 mm (6.34" × 2.76" × 2.76")
Weight	Approx. 400 g (0.89 lb.)

▪ **Available Model**

DS-2CE10KF0T-LFS(2.8mm)

DS-2CE10KF0T-LFS(3.6mm)

▪ **Dimension**



Unit: mm(inch)

▪ **Accessory**

▪ **Optional**



See Far, Go Further



www.hikvision.com
support@hikvision.com

