

## AE-DC5113-F6S

### Dashcam



- High Resolution Up to True 1600p (2560 x 1600)
- Wide Field of View Angle up to 130° Diagonal, 109° Horizontal
- $f/1.6$  Large Aperture for Crisp Night Imaging
- Built-in 2" Touch Screen
- Built-In Microphone and Speaker
- Built-in Wi-Fi AP Module
- Built-in GPS Module
- Built-in G-Sensor Module Supports Collision Detection and Footage Protection
- MicroSD Card, Up to 128 GB Supported
- Phone App for Set Up, Live View, Recording Footage Search, Backup, etc.
- Voice Control and ADAS (Advanced Driver Assistant System) Supported

The Hikvision AE-DC5113-F6S HD Dashboard Camera is a high resolution automotive dash cam that features easy installation and operation. The device communicates with its phone app through built-in Wi-Fi.

The built-in G-Sensor automatically locks the currently recording video when it senses a crash or strong vibration, to prevent it from being overwritten. MicroSD cards up to 128 GB are supported.

The built-in mic and speaker records and plays back audio.

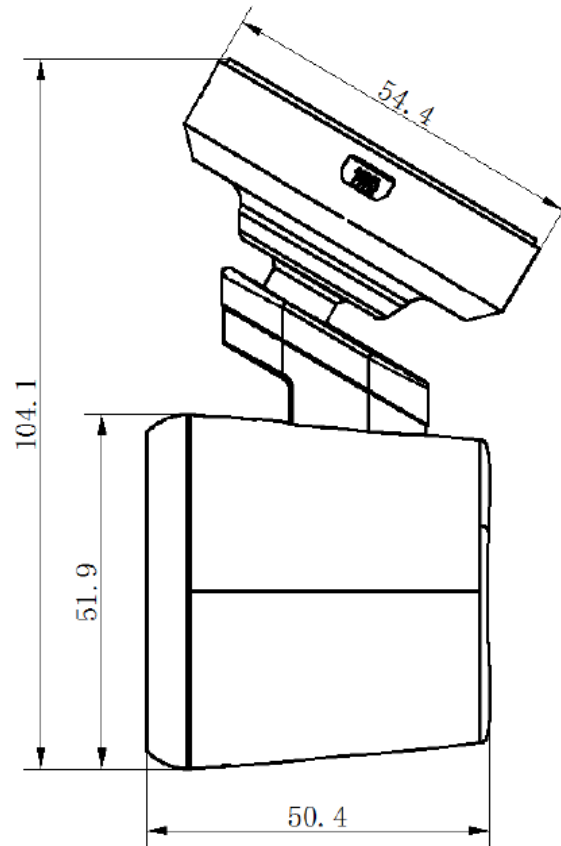
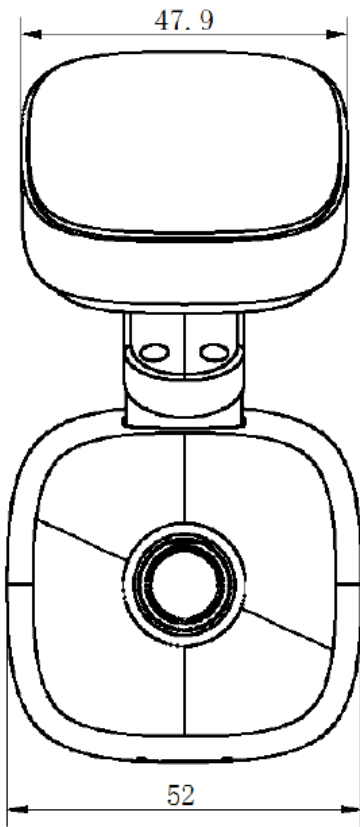
#### Available Models

AE-DC5113-F6S

# Specifications



AE-DC5113-F6S	
<b>Camera</b>	
Image Sensor	CMOS
Resolution	1600p @ 30 fps, 1440 p @ 30 fps, 1080p @ 30 fps, 1080p @ 60 fps
Angle Adjustment	Diagonal: 130°; horizontal: 109°
Aperture	<i>f</i> /1.6
Display	2" touch screen with 320 x 320 resolution
Video Compression	H.265
OSD	Display time, date, etc.
Image Format	JPEG
Storage	MicroSD card, maximum 128 GB
Communication Module	Wi-Fi AP
Sensor	G-sensor, GPS
<b>Interfaces</b>	
Power Supply	USB 2.0
Voice Control	Supports recording on/off and taking snapshots, and cutting edge ADAS (Automatic Driver Assistant System) functions (green traffic light alerts, front vehicle moving alerts, speed limit sign alerts)
Audio Input	Microphone
Audio Output	Built-in speaker
<b>General</b>	
Working Temperature	-20° to 70° C (-4° to 158° F)
Working Humidity	95% non-condensing
Power Supply	5 VDC, 1 A
Power Consumption	Maximum 3.8 W
Dimensions (L x W x H) (without bracket)	52 mm x 50.4 mm x 51.9 mm (2.05 in x 1.984 in x 2.43 in)
Weight	152 g

## Dimensions (unit: mm)



## Accessories

---

INCLUDED	
	
12 VDC Car Power Adapter	USB Power Cable