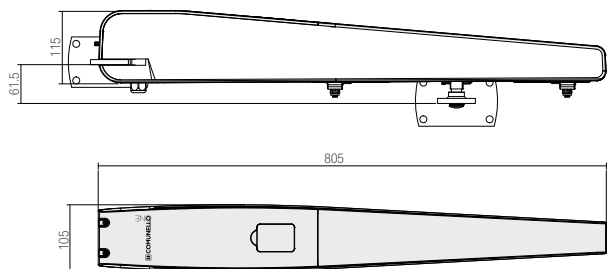
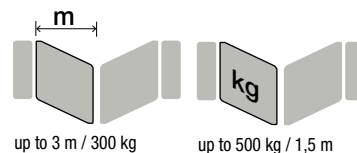
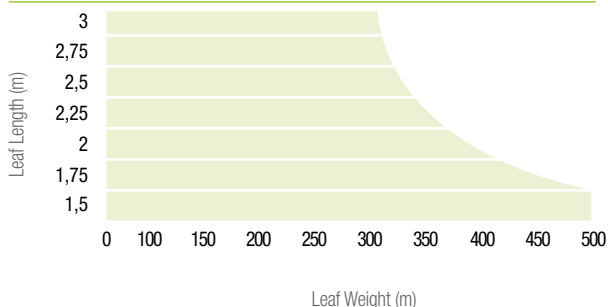


# ABACUS 300 ONE

For leaves up to 3 m (Max leaf weight: 300 kg). For leaves up to 500 kg, max leaf length is 1,5 m



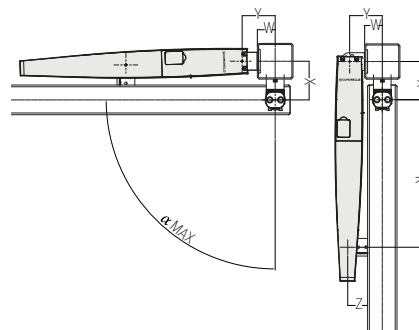
### OPERATING LIMITS



A5300

| X   | 80                  |                     | 100                 |                     | 120                 |                     | 140                 |                     | 160                 |                     | 180                 |                     | 200                 |                     |
|-----|---------------------|---------------------|---------------------|---------------------|---------------------|---------------------|---------------------|---------------------|---------------------|---------------------|---------------------|---------------------|---------------------|---------------------|
|     | K<br>$\alpha_{max}$ | Z<br>C <sub>0</sub> | K<br>$\alpha_{max}$ | Z<br>C <sub>0</sub> | K<br>$\alpha_{max}$ | Z<br>C <sub>0</sub> | K<br>$\alpha_{max}$ | Z<br>C <sub>0</sub> | K<br>$\alpha_{max}$ | Z<br>C <sub>0</sub> | K<br>$\alpha_{max}$ | Z<br>C <sub>0</sub> | K<br>$\alpha_{max}$ | Z<br>C <sub>0</sub> |
| 100 | 605                 | 65                  | 585                 | 65                  | 565                 | 70                  | 545                 | 75                  | 525                 | 80                  | 505                 | 95                  | 488                 | 102,5               |
|     | 96°                 | 685                 | 105°                | 685                 | 114°                | 685                 | 115°                | 685                 | 101°                | 685                 | 94°                 | 685                 | 90°                 | 688                 |
| 120 | 608                 | 75                  | 588                 | 70                  | 568                 | 70                  | 548                 | 75                  | 528                 | 85                  | 508                 | 102,5               |                     |                     |
|     | 95°                 | 688                 | 104°                | 688                 | 110°                | 688                 | 105°                | 688                 | 95°                 | 688                 | 90°                 | 688                 |                     |                     |
| 140 | 607                 | 65                  | 586                 | 65                  | 567                 | 75                  | 547                 | 80                  | 529                 | 90                  |                     |                     |                     |                     |
|     | 95°                 | 688                 | 105°                | 688                 | 110°                | 688                 | 96°                 | 688                 | 90°                 | 688                 |                     |                     |                     |                     |
| 160 | 605                 | 70                  | 584                 | 75                  | 566                 | 80                  |                     |                     |                     |                     |                     |                     |                     |                     |
|     | 94°                 | 688                 | 100°                | 688                 | 95°                 | 688                 |                     |                     |                     |                     |                     |                     |                     |                     |

■ NOT SUGGESTED



## ONE TECHNOLOGY

| ARTICLE              | CODE          | DESCRIPTION                           | PACKAGE | WEIGHT  | PALETTE |
|----------------------|---------------|---------------------------------------|---------|---------|---------|
| ■ ABACUS 300 24V ONE | G1A300MELOB00 | 24V with mechanical stops and encoder | 1 pcs.  | 10,1 kg | 45      |

### INSTALLATION CHART

- 2 ABACUS 300 24V ONE - G1A300MELOB00  
24V with mechanical stops and encoder
- 1 QUAD 2M ONE - G1QUAD2MLOG00  
Control unit for 2 motors 24V Basic
- 1 KEEP 2 RC - GKEEP2STNOB00  
2 Channels rolling code Remote control
- 2 MAST 50 - GMAST005NOG00  
Extruded aluminium column h 50 cm
- 2 DART ONE - G1DARTSTNOB00  
Photocells DART RX+TX ONE
- 1 SWIFT ONE - G1SWIFTSTYB00  
Flashing signal light
- 1 INDEX ONE - G1INDEXSTOB00  
Key operated switch
- 1 AC-51 - G1BATTERLOG00  
Battery kit



## TECHNICAL CHARACTERISTICS

| Electrical information | AS300 24V ONE |
|------------------------|---------------|
| Power supply           | 24VDC         |
| Power consumption      | 110 W         |
| Current input          | 5 A           |
| Maximum thrust         | 1800 N        |
| Nominal thrust         | 600 N         |
| Duty cycle             | intensive use |
| Protection rating (IP) | IP44          |
| Insulation class       | 2             |
| Working temperature    | -20°C / +50°C |
| No-load speed          | 21 mm/s       |
| Weight                 | 10,2 kg       |

## ABACUS 300 ONE

### ACCESSORIES from page 186 a 187



Wi-fi key ONE can be used for all ONE settings (one key for one installer)

Wi-fi connection key  
K-ONE / G1KEYWIFLOG00



Outdoor antenna  
AC 30 / GANTENINANO000



Galvanized rear bracket to screw  
AC 70 / GAS002ASNOG00



Galvanized rear long bracket  
AC 80 / GAS003ASNOG00



Galvanized adjustable rear bracket  
AC 85 / GAS004ASNOG00

### CONTROL ACCESSORIES from page 208 a 243



Control unit  
QUAD-1M-ONE / G1QUAD1MLOG00



Control unit  
QUAD-2M-ONE / G1QUAD2MLOG00



Battery kit  
AC 51 / G1BATTERLOG00



Horizontal 12V electric lock  
AC 10 / GINDEXORMOG00



Vertical 12V electric lock  
AC 20 / GINDEXVRM0G00



Kit 5 Remote control, rolling code 2 ch.  
KITVICTOR / GVCTR2STN6C00



Remote control, rolling code 2 ch.  
KEEP 2 RC W / GKEEP2STNO00  
KEEP 2 RC B / GKEEP2STNOB00



Remote control, rolling code 4 ch.  
KEEP 4 RC W / GKEEP4STNO00  
KEEP 4 RC B / GKEEP4STNOB00



Key operated switch  
INDEX ONE / G1INDEXST0B00



Digital switch with keypad  
TACT / GTACTSTDN0B00

### SAFETY ACCESSORIES from page 244 a 251



Flashing signal light  
SWIFT ONEYELLOW / G1SWIFTSTYB00  
SWIFT ONEWHITE / G1SWIFTSTWB00



Photocells  
DART ONE / G1DARTSTNOB00



Photocells slim  
DART SLIM ONE / G1DARTSLNOB00



Adjustable photocells  
DART ADJUSTABLE ONE  
G1DARTADNOB00



Signage table  
AC 40 / GSAFETYTNOG00