

# SOYAL<sup>®</sup>

## Illuminate Series AR-725-E

### Touch Keypad IP Access Controller

Illuminated touch panel with palm size and sleek design



#### Metal frame for Anti-vandalism

The optional metal frame can strengthen its rigidity and the side collision protection to reduce damage.

#### Lightweight classic design

The size of AR-725-E is as big as the palm, which is suitable for all kinds of installation site. 1 bi-color LED and 1 beeper for identification providing the convenience of use.

#### Invisible Keypad

External form's keypad is optional to use reserved keypad function, only authorized personnel can activate and use keypad function.

#### Illuminated Touch Panel design - enhance waterproof and surface wear resistance

The seamless design of the touch panel can prevent water vapor from entering; the sleek touch will not wear out and the font printing will not disappear.

## Features



Waterproof (IP55)



Illuminated Touch Panel



Housing Material



Invisible Keypad



Perfect Size and Design



Dual-Band Frequency



Web



Youtube

- RS-485 and TCP/IP communication interface
- Built-in Watch Dog to prevent the halting
- User capacity: 16,000; Event logs: 32,000
- Lift Contro: 64 floors/32 floors/16 floors
- Ingress Protection IP55
- Data redundancy while system disconnected, identify users and store event log up to 32000 records
- Access Mode: Card Only, Card or PWD, Card and PWD
- 63 auto-open zone settings and 16 sets of Auto-Open Zone editable
- WG port provides anti-pass-back function
- Built-in HTTP Browser for remote Access Control

- One more Exit Switch, Door Contact and Door Output to wiegand
- Built-in Multi-Output: Door Lock / Alarm / Arming / Duress / Security trigger signal
- 125kHz and 13.56MHz can be used simultaneously two channels
- TTL or RS-485 serial output for various application, lift control and Bluetooth Module
- Built-in 16 set of Alarm and 120 days of Holiday setting
- Including the input of door contact, offering the alarm system of both door opening too long and being forced to open
- Intelligent to shift for standalone or networking mode while system disconnected
- Support SCC encryption (SOYAL SECURITY COMMUNICATION) to enhance security of communication

## SPECIFICATION

Communication interface	Host	RS485(9600 bps (N, 8, 1) / TCP/ POE
	Serial	UART PORT (Output only) / 9600 bps (N, 8, 1) X2
Frequency	125kHz / 13.56Mhz / Dual Band	
Supported Tags	125kHz	ISO18000-2: EM4001 and EM4095 compatible
	13.56MHz	1. ISO 14443 Mifare Ultralight, Classic, Plus, DESFire EV1&EV2 2. ISO 15693 3. Felica 4. NFC (card simulation)
Crypto	13.56MHz:CC Certification: AES Crypto comply with EAL5+	
RFID Reading Range	125kHz: PC: 5-15 cm / Metal Housing: 2-9 cm 13.56MHz: PC: 2-5 cm / Metal Housing: 2-4 cm	
UID Bits	64	
DI/DO	DI	Push Button X2 / Door Sensor X2
	DO	Security Output / Arming Output / Duress Output / Duress Output
	RO	Door Lock Relay
Doors/Floors Number	2 Doors / 64 Floors	
User Capacity	16,000	
Event Log	32,000	
Indicator	LED	1 Bi-Color LED
	Buzzer	1
Extend Port	Tamper Switch / Tamper Output / WG In Port WG / WG Out Port / Buzzer	
Dimension (mm)	PC: 110(H)X79(W)X26(D) Metal Housing: 125(L)X89(W)X30(H)	
Housing Material	PC / PC + Metal	
Color	Silver / Gray / Black / Pearl White	
Weight (g)	PC: 150±10 / Metal Housing: 400±10	
Power Consumption	<5W	
Power Voltage	9-24VDC	
Ingress Protection	IP55	
Enviroment	Operating Temperature	-20°C ~ +65°C
	Storage Temperature	-25°C to +70°C
	Operating Humidity	20%~90%
	Storage Humidity	5%~95%

## WHAT WE OFFER

### ✓ Reader Mode Supported

AR-327-E controller can also be set to Reader mode, with Wiegand output that can be integrated with various brands of controllers, with a dual-band format that turns into Wiegand dual-band Reader.

### ✓ Real-time event log integration

After reading card, IP-based controller AR-327-E will actively send the event logs through port 8031 for the integration with the 3rd party program.

### ✓ Auto-Schedule

AR-327-E special firmware connect with DO module AR-401RO16B, using Lift Control program enabling you to control each Digital Output and formulate a time schedule for each output, up to 64. It's suitable for each various switching devices, such as lighting, sprinkler system, air conditioning, etc.

### ✓ Auto-Open

The Wiegand reader Auto-Open time zone setting to control the infrared activation function / output the second set of door contact functions at a specific time.

### ✓ Auto-Alarm

Built-in 16 sets of Alarm to output flash light, alarm clock, broadcast system, and each set of Alarm can set the output time.

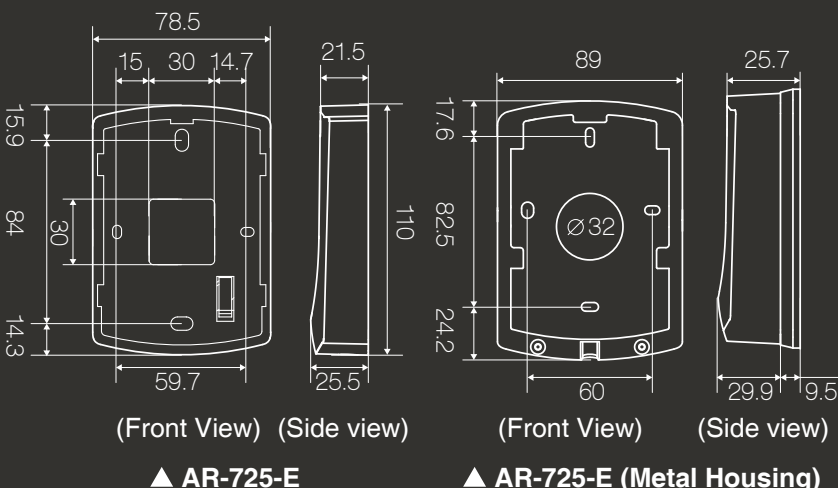
### ✓ With 2 sets of UART port

It can be applied to:  
 (1) 256-point Mailbox Management System  
 (2) Auto-scheduling control function-64-point DO control  
 (3) Printer integration  
 (4) Voice module (AR-721V-V2)

### ✓ Double Door Control

Connected with Reader, it can manage 2 access control by a single unit AR-327-E. The second set of access control also has the exit switch, door contact status and door output control, can also set different access level (such as - can access Door A but can not access Door B).

## INSTALLATION(mm)



## HOW TO ORDER

AR-725-EXR11X1X-X

**Frequency**  
 B=125kHz  
 D=13.56MHz  
 S=125kHz+13.56MHz

**RTC**  
 R=Built-in RTC

**Communication**  
 1=RS485

**Waterproof**  
 1=Weatherproof

**Additional Module**

A=TCP/IP Module  
 P=POE Features

**Type**

M=Metal Housing (N/A)

**Type**

1=Standard

**Color**

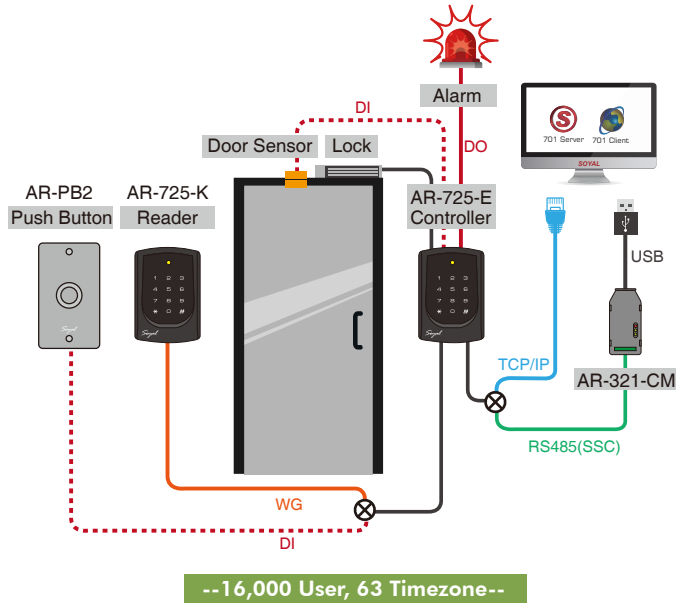
1=Silver  
 2=Gray  
 B=Black  
 P=Pearl White

## APPLICATION & STRUCTURE DIAGRAM

### ● STANDALONE & NETWORKING ACCESS CONTROL

Anti Passback: restrict user to re-enter before exiting venue or increase security level by having access reader at the other side of the door. Both entering and exiting will required swipe card or keyfob for access.

AR-725-E can detect abnormal event with the door contact status in arming mode. When a forced entry or door opening too long, an alarm is generated and sent to the software, AR-725-E alarm output can be equipped with a flash buzzer as warning on site.



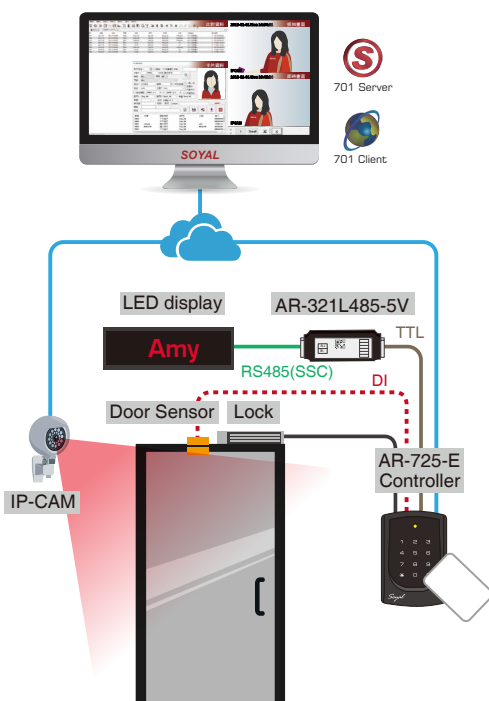
### ● BUILT-IN HTTP WEB SERVER

IP-Based Controller has built-in HTTP WEB Server for Access Control, just input IP address, have it logged in to remotely control a single controller, enabling adding User card, time zone setting, review event logs, etc, even more can remotely open/close door regardless the brand of computer and smart phone. As long as there is a WEB browser, the remote management function can be achieved.



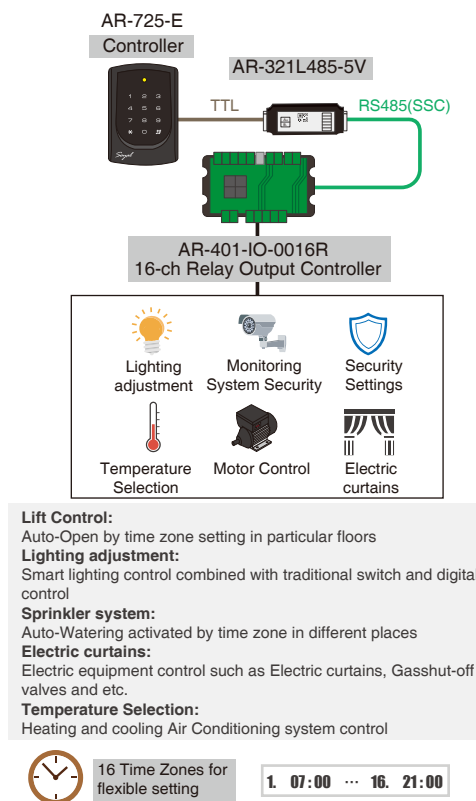
### ● REAL-TIME CAPTURING LIVE PICTURE

once tapping card on access controller, capturing live picture for administrator to crosscheck the live picture and the database picture; it can display the name on LED signboard simultaneously. The captured picture will be saved in path 701Client for tracking.



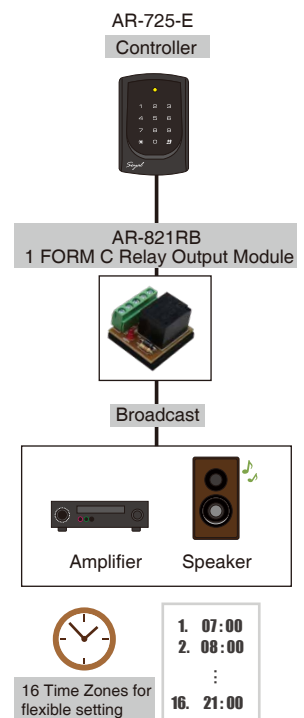
### ● AUTO-SCHEDULING

Smart Home System : AR-725-E connect with DO module for auto-control, can formulate a ime schedule for each output, up to 64. It's suitable for each various switching devices.



### ● AUTO-ALARM

Built-in 16 sets of Alarm to output flash light, alarm clock, broadcast system, and each set of Alarm can set the output time.



# PERIPHERALS / ACCESSORIES

## HIGH LEVEL SECURITY

### • Anti-Cloning Kits



#### Mifare Encryption

Encoder: AR-725-P  
Authorization Tags  
Software: Mifare Key



#### Desfire Encryption

Encoder: AR-837-P  
Authorization Tags  
Software: 323D Master

### • Expansion I/O Control



#### I/O Modules

**AR-401 Series:**  
Multiple Channel I/O Module  
**AR-403 Series:** Tiny Digital I/O Module

## NETWORKING

### • Software



**File Based & Data Based Interchangeable Software for Access Control, Time Attendance, Status Monitoring and Configuration**  
701 Server & 701 Client



**Firmware Upgrade**  
UdpUpdater



**Remote Lift Control and Time Table Setting**  
LiftControl

### • Signal/Interface Converter



#### POE Module

AR-MDL-RJ45-POE-12V12W



#### Isolated USB to RS-485

AR-321-CM

#### Isolated RS232 to RS-485 Converter

AR-321-CM-485232



#### Ethernet to RS485

AR-727-CM  
AR-727-CM-IO-0804M (with I/O for Fire Alarm to open all doors)

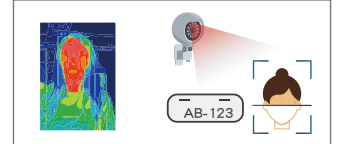
### • Multi-Door AntiPassback



#### Multi-Door Control Series

AR-716-E16: 16 Doors IP Control Panel  
AR-716-E18: 18 Doors IP Control Panel

### • Extensive Applications (UDP/TCP)



#### Infrared Thermo-Camera, LPR (License Plate Recognition)

## STANDALONE

### • Input/Output



#### Locks

**Magnetic Lock**  
AR-0600M-270  
**Electric Bolt Lock**  
AR-1207 Series  
**Cabinet Lock**  
AR-1211-P/AR-1213-P  
**Electric Strike**  
AR-YS-130NO/AR-YS-131NO



#### Door Sensor / Push Button / Alarm / Burglary Security System

### • Illuminate Series



#### Touch Keypad Proximity Reader

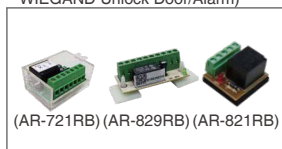
AR-725-K

#### Proximity Reader

AR-725-U

### • External Relay Output

(Security / Arming / Duress / WIEGAND Unlock Door/Alarm)



#### 1 Form C relay with time delay

AR-721RB

#### 1 Form C relay

AR-821RB

#### 2 Form C relay

AR-829RB

### • UART Port x 2



Lift Control / I/O Module / Printer / LED display / Voice Module / Bluetooth Module / Infrared Thermo-Camera

### • Programming • Necessary



#### Keyless Editing

Self programmed master card



#### Power Supply

BP-W12-1500 (1.5A)  
BP-W15-2400 (2.4A)



#### Proximity Tags

125kHz: EM  
13.56MHz: Mifare Classic, Mifare Plus, Mifare Desfire, UltraLight  
Tags Selection: Thin Card, Round Keyfob, Square Keyfob



AR-725-E

## FAQ

**Q:** What is the difference between SOYAL H Series and E Series Controller?

**A:** SOYAL access controller classified into two categories in term of specification; H Series and E Series.

SOYAL H Series controller has already include all basic standalone and networking access controller that you need. But E series controller provide what H Series controller has already have, and more advanced features like built in more user capacity, UART Port for extension module, and extension interface like Ethernet and POE.

**Q:** How to set the IP address offline without computer for AR-725-E?

**A:** Besides online setting IP address by computer via the built-in HTTP Web Server, offline setting by keypad is also workable, that suited on site or when IP address is unknown.

- The default IP address: 192.168.1.127
- To edit IP address: for example: 192.168.77.10  
STEP 1. Entering programming mode  
STEP 2. Input 01\*0\*192168077010# by keypad.



More FAQ